

# Singer 69-24

Form 19512  
(840)

PRINTED IN U. S. A.

HISTORICAL COPY  
FOR M. T. D. FILE  
COPY DO NOT REMOVE

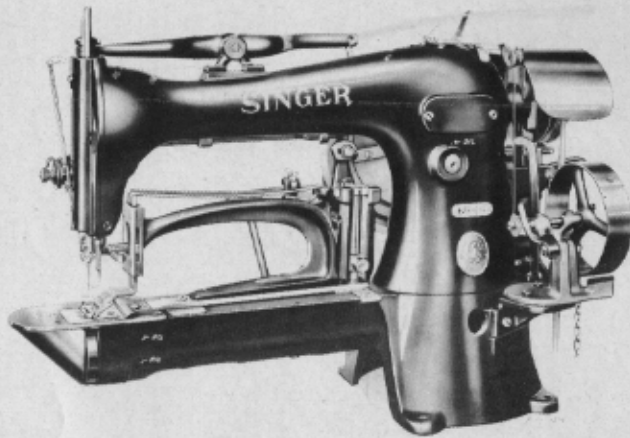
# SINGER

69-24

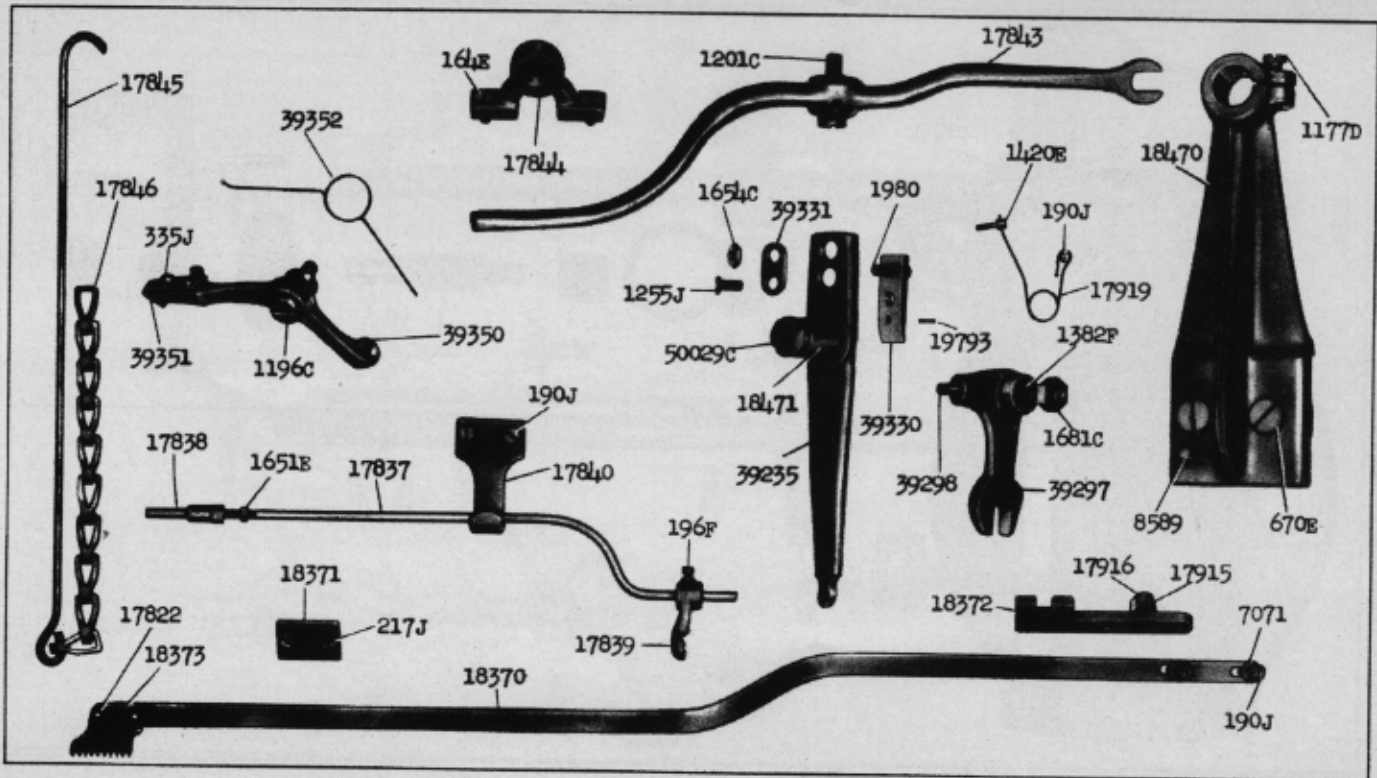


THE SINGER MANUFACTURING COMPANY

From the library of: Diamond Needle Corp

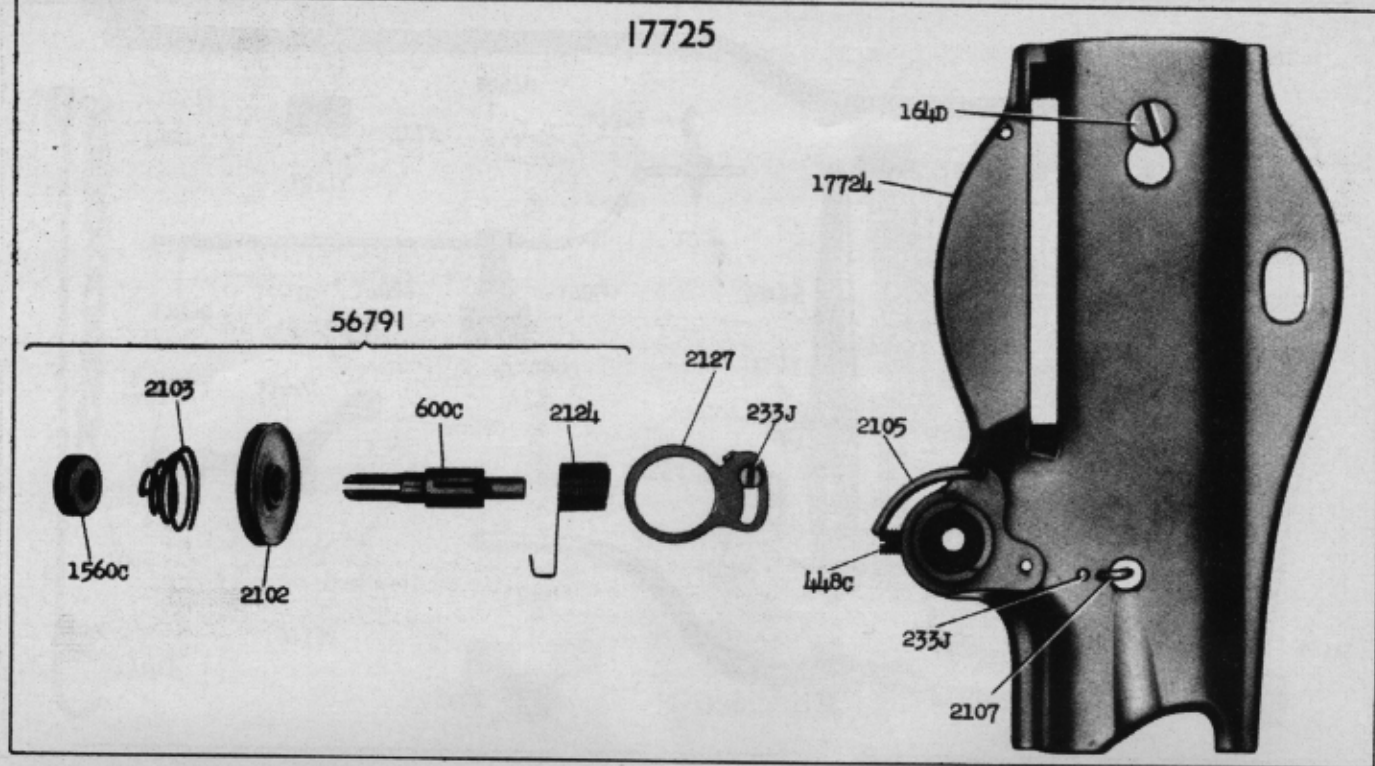


Copyright, U. S. A., 1936, 1939 and 1940  
by The Singer Manufacturing Co.  
All Rights Reserved for all Countries



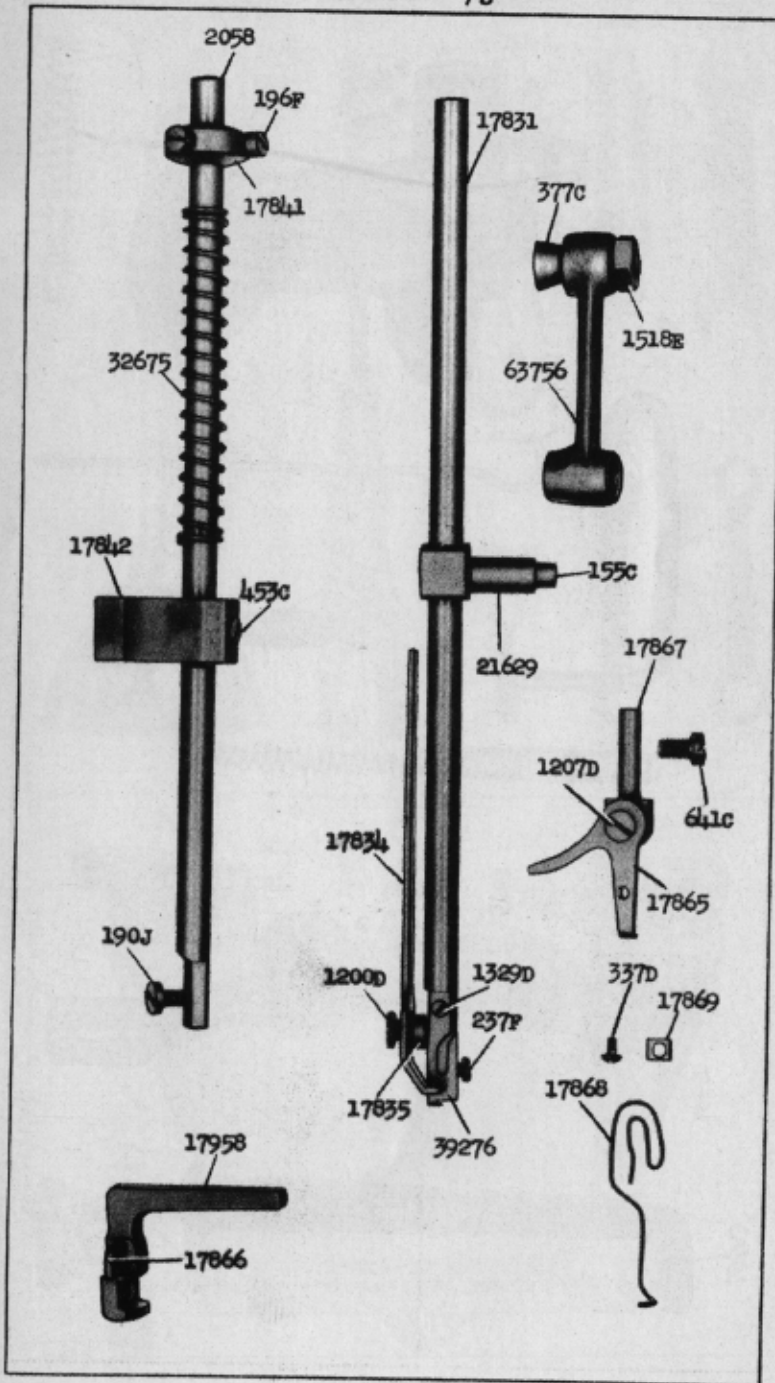
8592 - 1/3

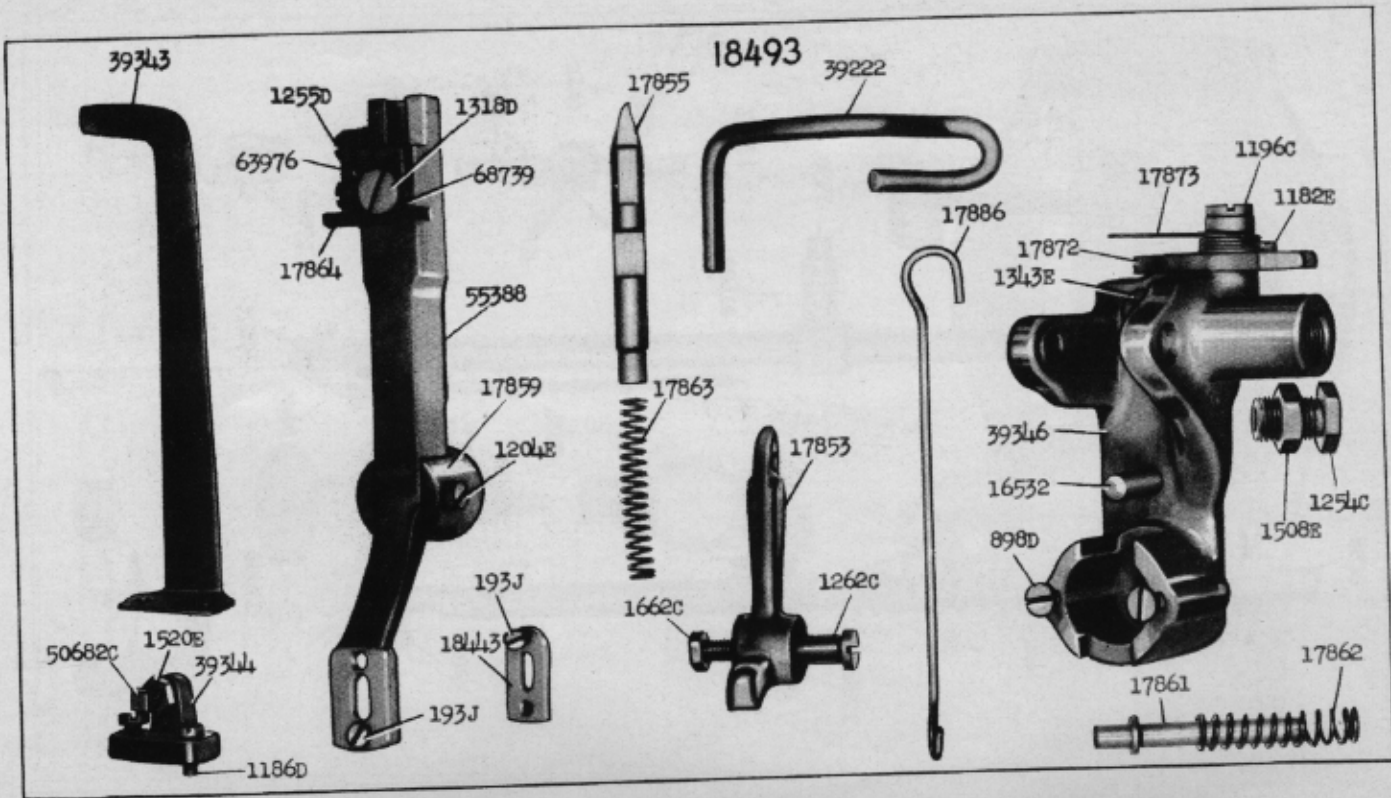
17725



8593 - 2/3

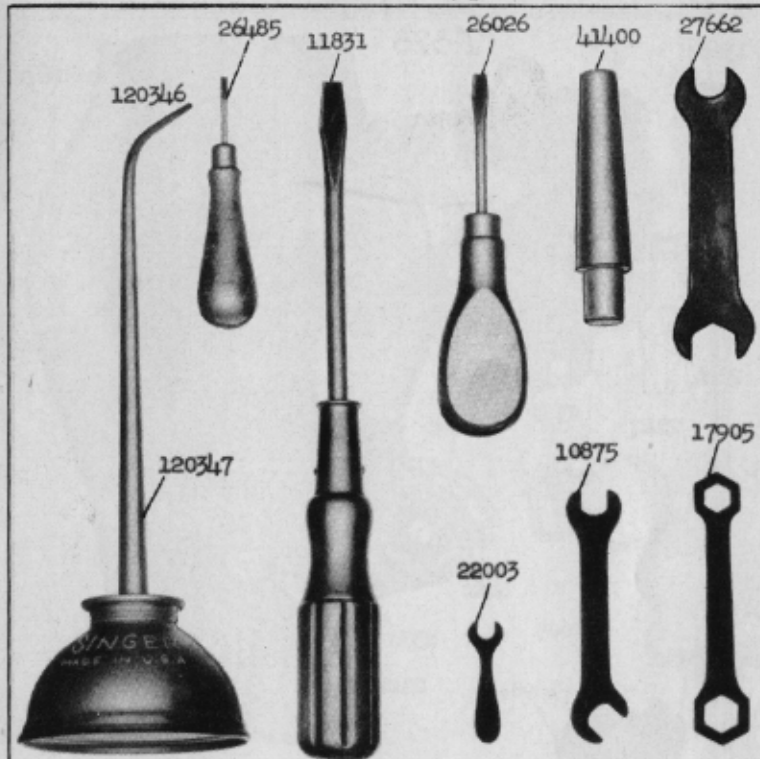
8596 - 2/3



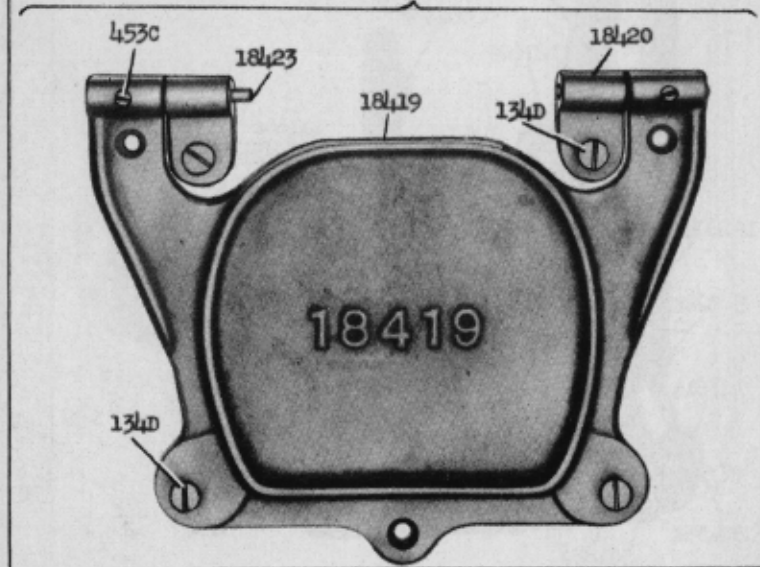


8598 - 2/3

8599 - 1/3

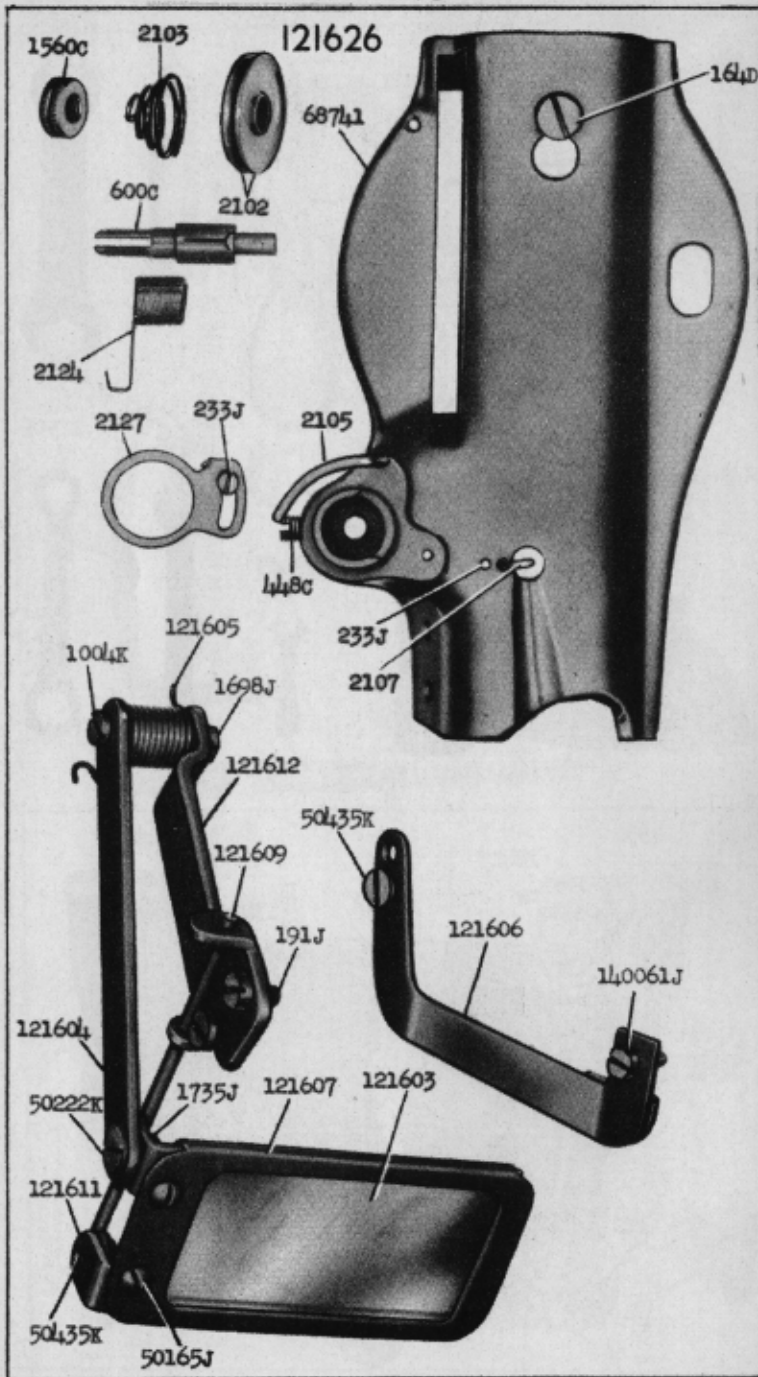


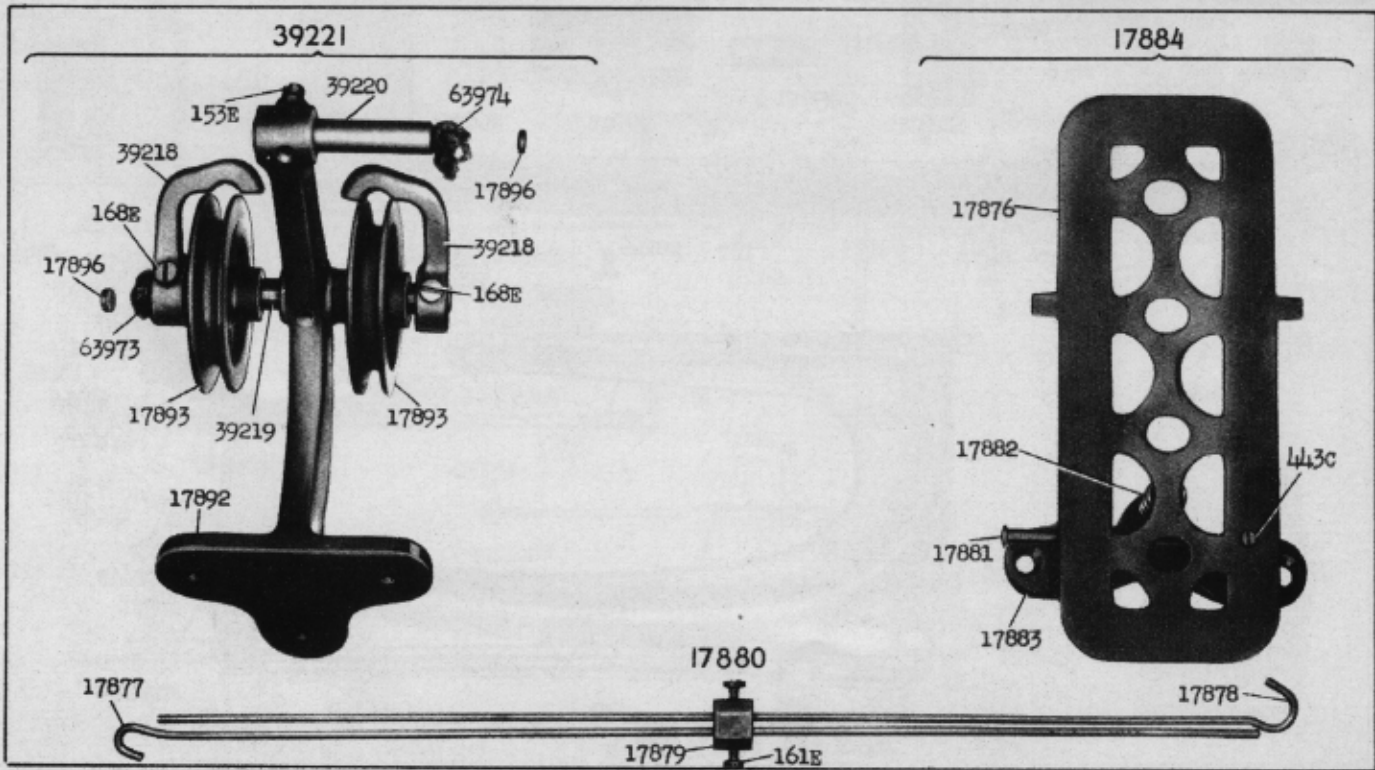
18424





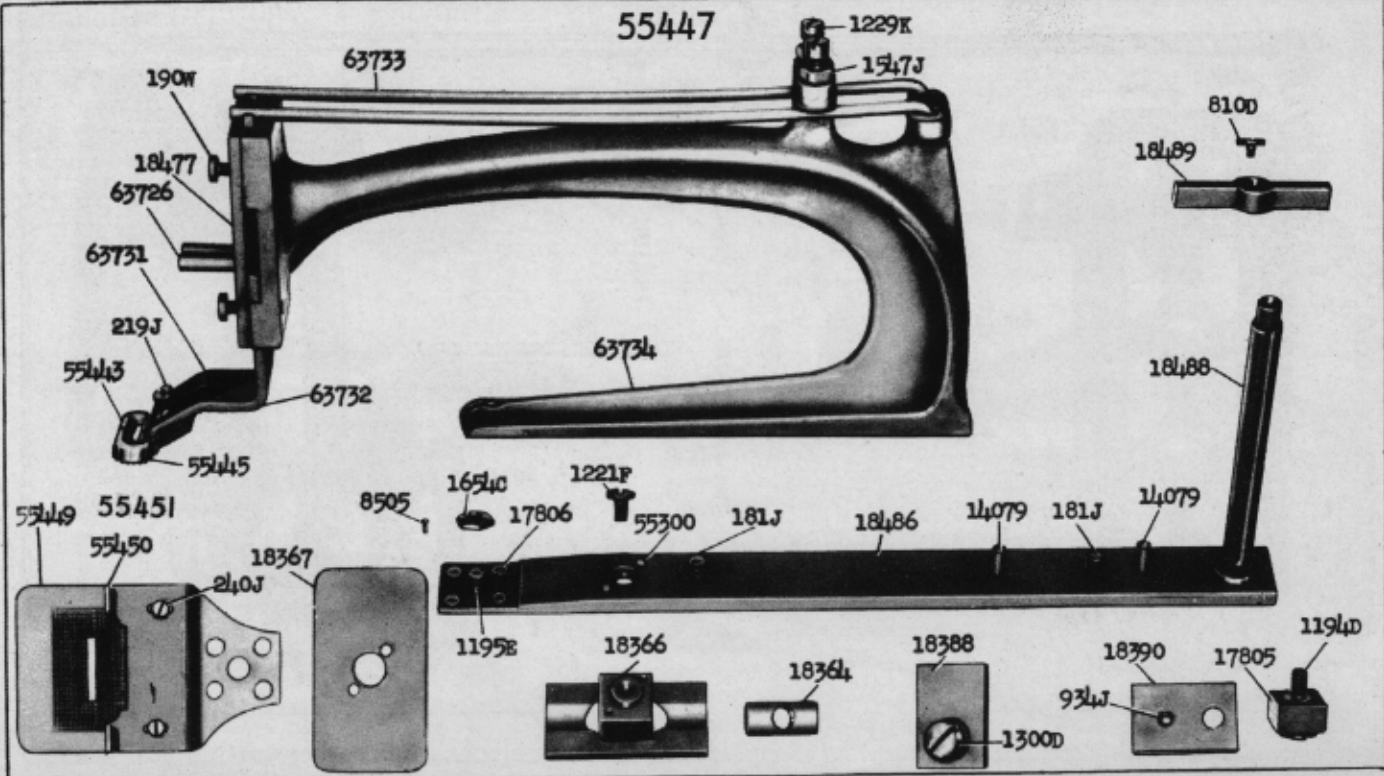
8601 - 2/3





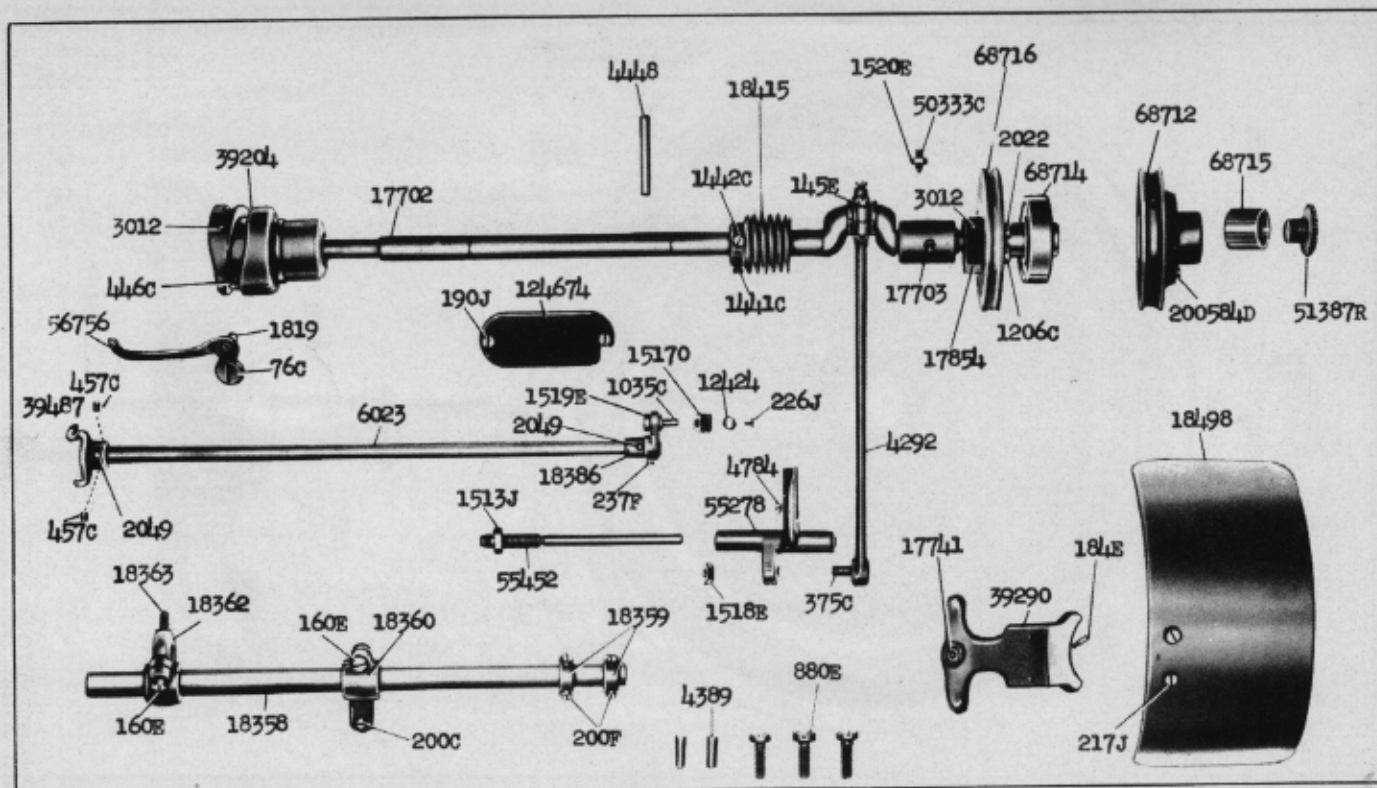
8602 - 1/3

55447



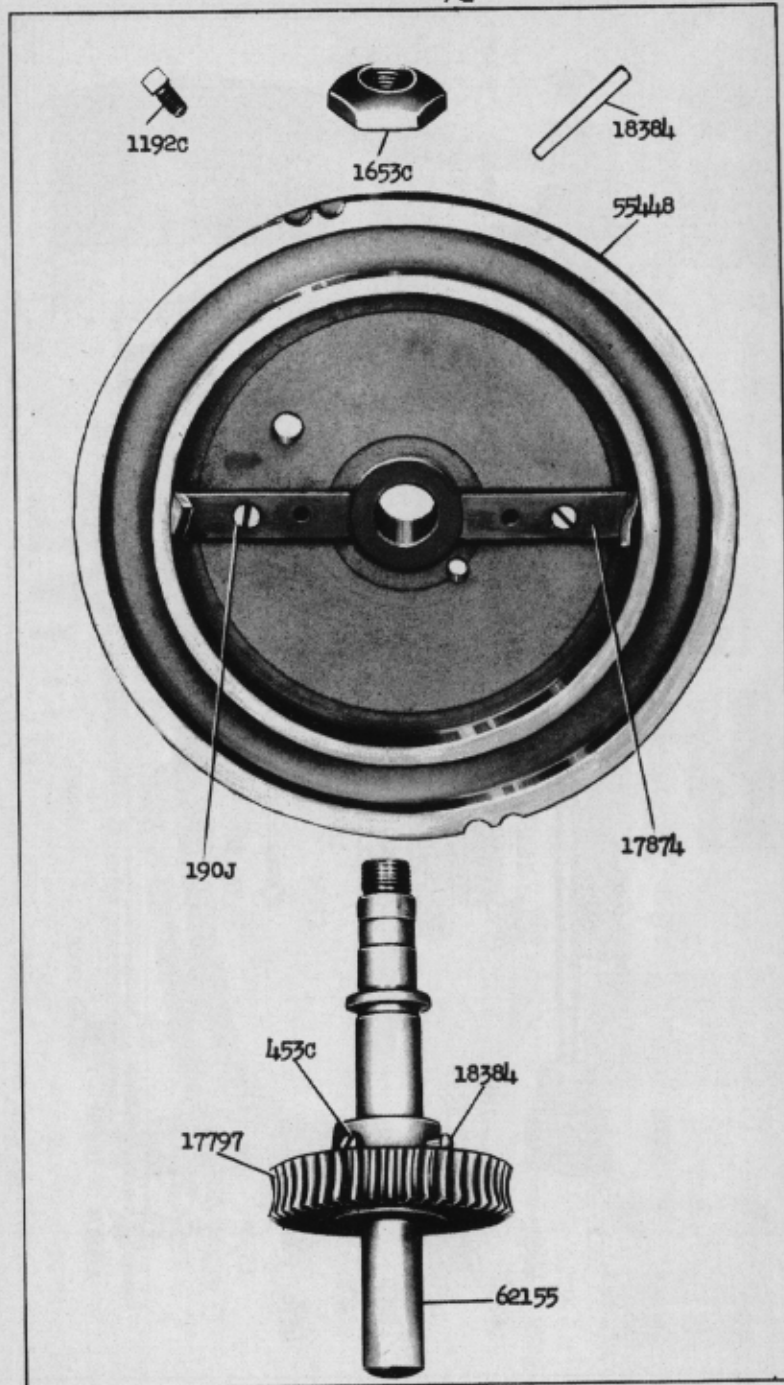
8604 - 1/2

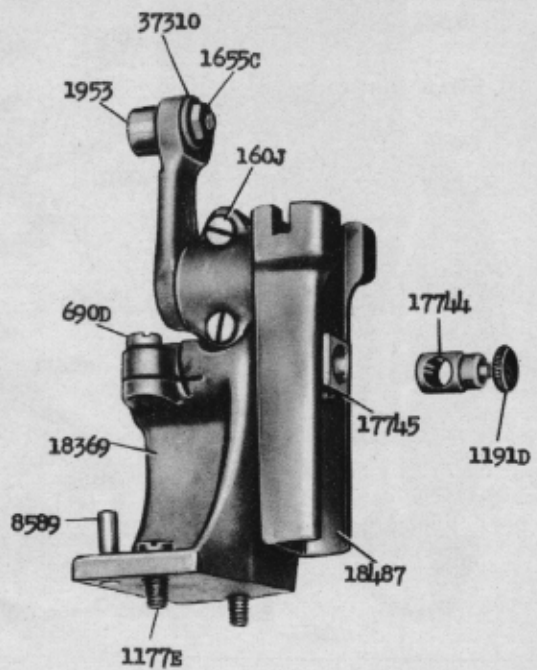
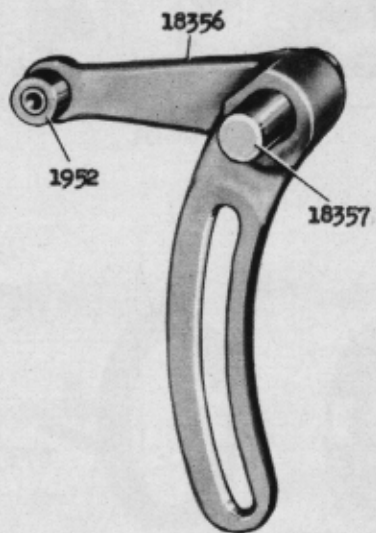
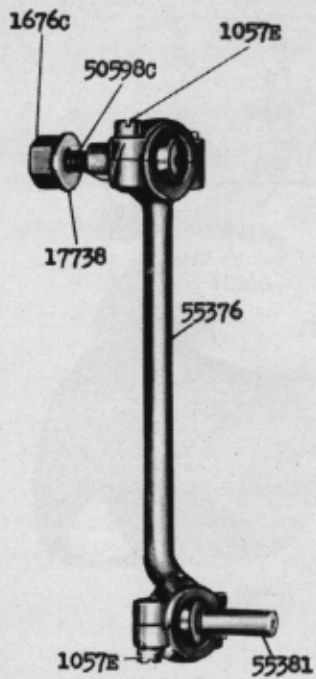
From the library of: Diamond Needle Corp



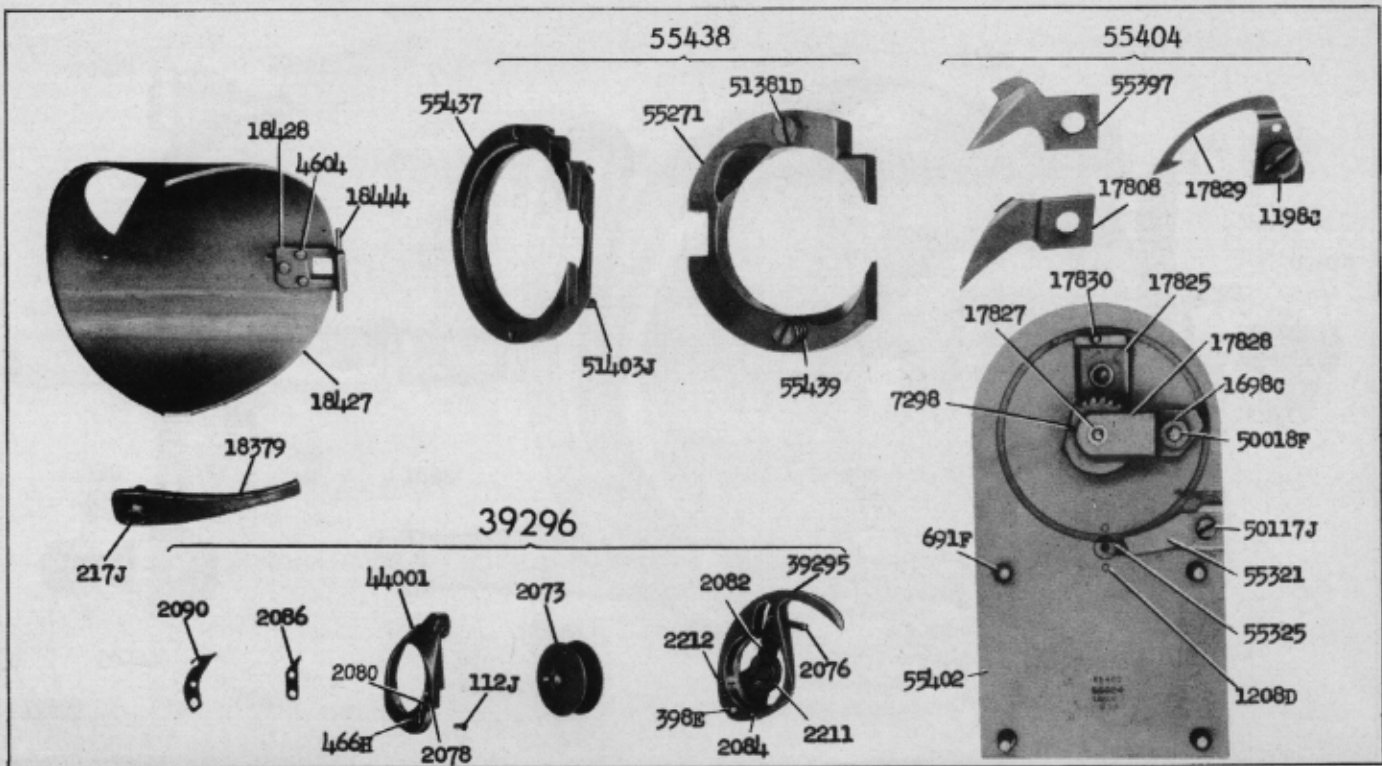
8606 - 1/4

8608 - 1/2



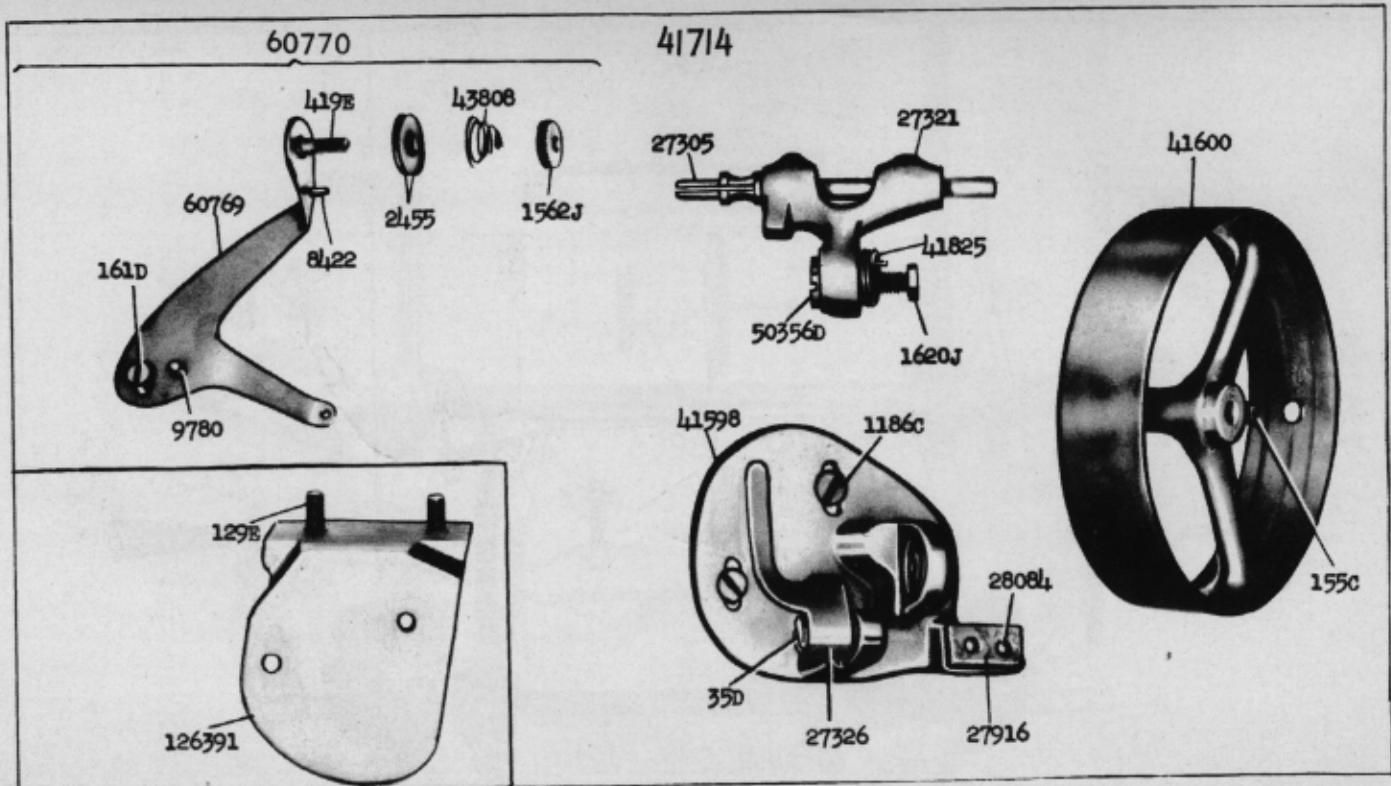


2/1 - 0198



8611 - 1/2

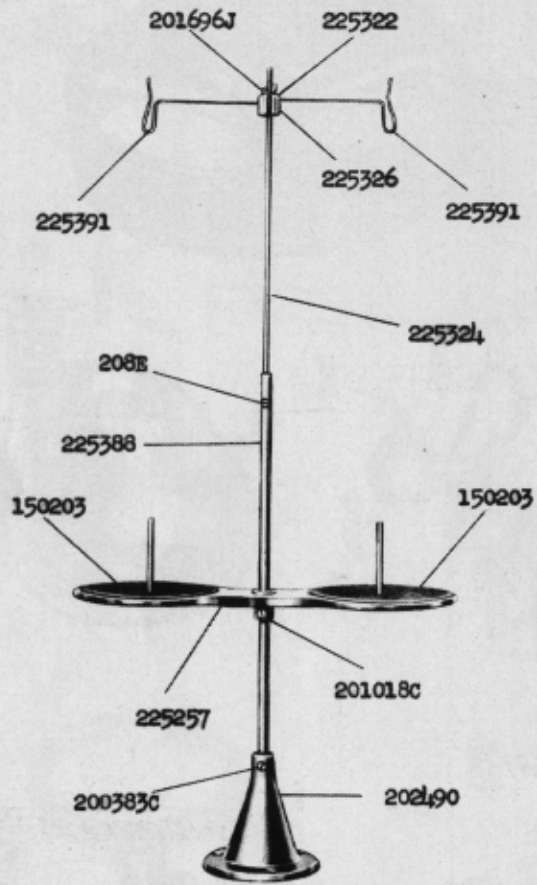
From the library of: Diamond Needle Corp



8612 - 1/2

22248 - 1/6

225258

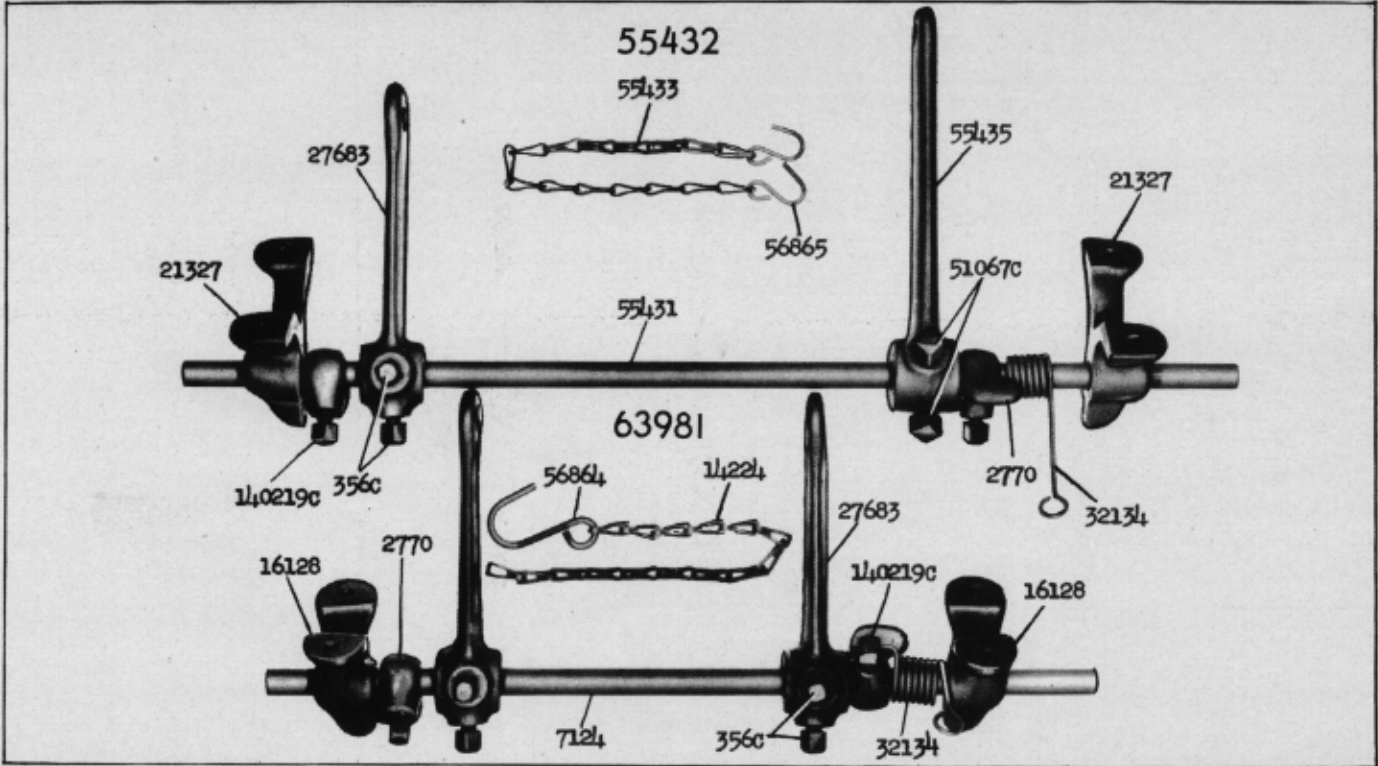


27739



225390





23506 - 1/3